



Waldhornstrasse 12
 D-88662 Überlingen
 Fon: +49 (0) 7551.1234
 Fon: +49 (0) 7551.4444
 Fax: +49 (0) 7551.918888
 www.winkler-technik.com

**Winkler
 Technik**



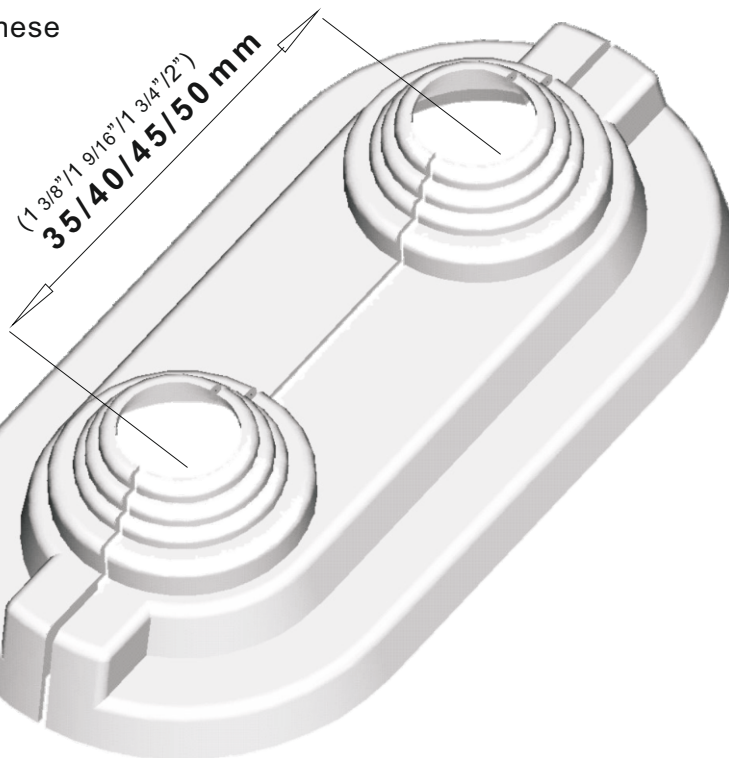
Escutcheon

wall and floor trim- easy mounting -

Hybridescutcheon HRD

● accomodates various tubing diameters by cutting off rings

● available for these tube spacings



- for tubing OD : 12 mm (3/8"), 15 mm, 18 mm, 20 mm (5/8") - **Type A (HRDA)**
- for tubing OD : 14 mm, 16 mm (1/2"), 18 mm, 20 mm (5/8") - **Type B (HRDB)**
- for tubing OD : 15 mm, distance between tubes 50 mm (2") - **Type C (HRDC50)**

colour: white (RAL 9010) - other colours upon request

packing unit : 50 / bag
 500 / carton

weight approx. per carton

HRDA35 4.3 kg HRDB35 4.3 kg (9.5 lbs.)

HRDA40 4.5 kg HRDB40 4.5 kg (9.9 lbs.)

HRDA45 4.7 kg HRDB45 4.7 kg (10.3 lbs.)

HRDA50 4.9 kg HRDB50 4.9 kg (10.8 lbs.)

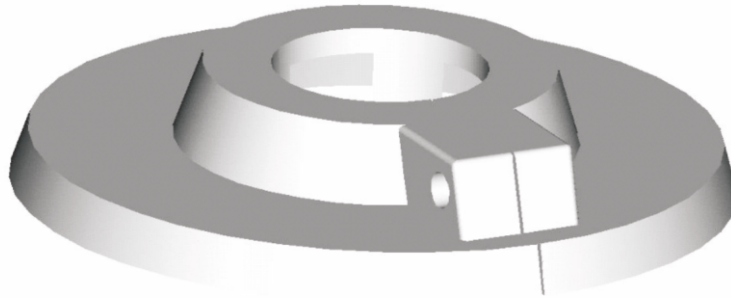
HRDC50 4.9 kg (10.8 lbs.)

Subject to technical changes GT 09. 16/02

Escutcheon

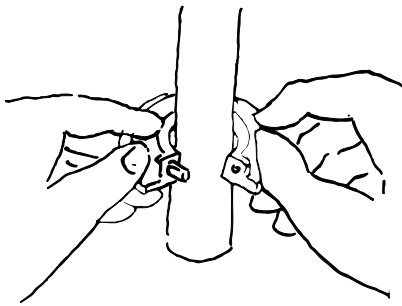


Escutcheon ROSW

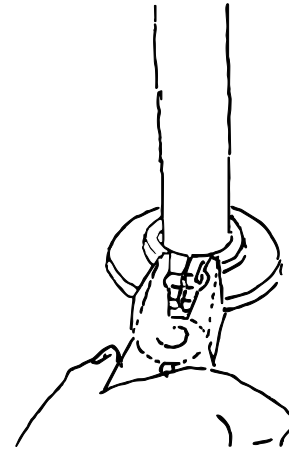


To install ROSW :

- surround tube with the escutcheon



- press the speed lock together with a pair of pliers - done !



Technical Data

item No.	for tubing OD	colour	packing unit	weight approx.
ROSW 10	10.0 mm	white (RAL 9010)	100 / bag	0.22 kg (0.5 lb.)
ROSW 12	12.0 mm	other colours	100 / bag	0.20 kg (0.4 lb.)
ROSW 14	14.0 mm	upon request	100 / bag	0.28 kg (0.6 lb.)
ROSW 15	15.0 mm		100 / bag	0.36 kg (0.8 lb.)
ROSW 16	16.0 mm		100 / bag	0.32 kg (0.7 lb.)
ROSW 3/8" - 18	3/8" - 18.0 mm		100 / bag	0.35 kg (0.8 lb.)
ROSW 20	20.0 mm		100 / bag	0.36 kg (0.8 lb.)
ROSW 1/2" - 22	1/2" - 22.0 mm		100 / bag	0.48 kg (1.0 lb.)
ROSW 25	25.0 mm		100 / bag	0.51 kg (1.1 lbs.)
ROSW 3/4" - 28	3/4" - 28.0 mm		100 / bag	0.54 kg (1.2 lbs.)
ROSW 1" - 35	1" - 35.0 mm		100 / bag	0.61 kg (1.3 lbs.)
ROSW 1 1/4" - 42	1 1/4" - 42.0 mm		100 / bag	0.96 kg (2.1 lbs.)
ROSW 1 1/2" - 48.8	1 1/2" - 48.8 mm		50 / bag	0.53 kg (1.2 lbs.)
ROSW 2" - 60.8	2" - 60.8 mm		50 / bag	0.68 kg (1.5 lbs.)